

WINNER !



ALBRECHT
Precision Chucks

**At present,
the Albrecht APC
is the best
performing chuck
world wide.**

**In the area
of speed, tool life
and safety.**



You can expect:

**A clearly higher
chip removal rate**

**A considerably
longer tool life**

**100% process
reliability**

Winner in Speed.

Good reasons

1. Albrecht APC 400 mm

2. Hydraulic 320 mm

4. Shrink Fit 280 mm

3. Weldon 300 mm

00:23

On this photo finish the production speed of 4 chuck technologies is being compared. The machine, the milling cutter $D = 16$ and the material are identical for all 4 milling operations. We call out to any sceptic: come to the race! Albrecht APC.

Winner in Life time.

Good reasons



Weldon
One-sided wear
Out!



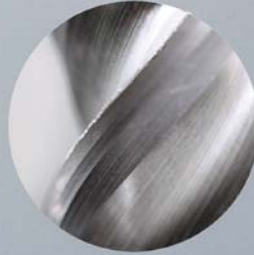
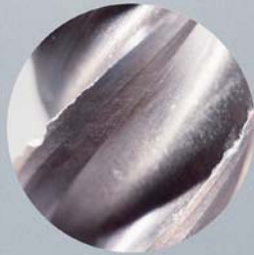
Hydraulic
Big nicks
Stop!



Shrink Fit
Micro
nicks
Limited!



Albrecht APC
Minimal rounding
Good
Continue!



This comparison shows the influence the chuck has on the life of your cutting tool. The test milling cutter is a 4-blades tool, D=16, with identical material, identical machine and identical parameters. The tool life advantage in the Albrecht APC chuck can clearly be attributed to the excellent vibration dampening and highly precise accuracy of this precision chuck. We ask you to value your economic advantages yourself.

Winner in Safety.

Good reasons

Weldon Holds

The most common solution.
The mill is fixed with a side lock screw.
Solid fixation. No dampening.
Run-out not so good.

Hydraulic Possible pull-out

The mill is held by an inner membrane.
This "soft" technology might enable the mill "to be levered out" especially by lateral forces.

Shrink Fit Possible pull-out

Clamping very rigid.
Thus, vibrations might loosen the mill from the chuck. The clamping torque is dependent on the tolerances of the tool shaft.

Albrecht APC Holds

Strong clamping force due to the assemblage of collet and taper.
Available also with a Pin-Lock engaged to Weldon slot which acts as an additional safeguard for the mill. This we guarantee!

These wins have reasons.

1. The world's only Milling Chuck with 1:16 worm gear. Patent no. 1206990. The only way how 100% holding force gets to the cutting tool.

2. Highest rigidity thanks to design and body. Measuring portfolio from Sophia University Tokyo.



3. The worm gear with 3 tons traction force and the collet with a slow-taper angle of 1,25° do guide the tool perfectly through trochoidal-, dry- and hard-machining operations up to 110° C.

4. Ideal dampening. The collet-cone assemblage absorbs virtually all vibrations.

SK

Precision Chucks APC, DIN 69871 (ISO 7388-1). Highest gripping force due to integrated worm gear transmission. Easy exchange of tools by setting of hex-key. Maintenance free. Sealed against coolant and contamination. Slow collet taper angle. Gripping torque > 400 Nm at D = 20 mm. Runout accuracy 3 µm at 2.5 x D and standard length. Clamping of tool shanks according to DIN 1835 A, B and DIN 6535 HB, HA as well as HE up to D = 20 mm.

SK30 2-14 mm

A	Part.No.	Form	L1	L2	L3	L4	D1	D2	D3	Balanced	kg
92	300 014Z 230 0	A/AD	11	28	73	30	50			20.000 G=2.5	1.1

SK40

63	300 014Z 240 0	A/AD	11	28	43	30	50			20.000 G=2.5	1.2
----	----------------	------	----	----	----	----	----	--	--	--------------	-----



SK30 2-14 mm

A	Part.No.	Form	L1	L2	L3	L4	D1	D2	D3	Balanced	kg
142	300 514Z 230 0	A/AD	61	78	123	30	50			20.000 G=2.5	1.4

SK40

112	300 514Z 240 0	A/AD	61	78	93	30	50			20.000 G=2.5	1.3
-----	----------------	------	----	----	----	----	----	--	--	--------------	-----



SK40 2-14 mm

A	Part.No.	Form	L1	L2	L3	L4	D1	D2	D3	Balanced	kg
149	300 914Z 240 0	A/AD	85	103	129	30	50			20.000 G=2.5	1.7



SK30 2-20 mm

A	Part.No.	Form	L1	L2	L3	L4	D1	D2	D3	Balanced	kg
92	300 120Z 230 0	A/AD	20	28	73	40	50			20.000 G=2.5	1.1

SK40

63	300 020Z 240 0	A/AD	20	28	43	40	50			20.000 G=2.5	1.2
----	----------------	------	----	----	----	----	----	--	--	--------------	-----

SK50

62	300 020Z 250 0	A/AD	18	38	43	40	63			20.000 G=2.5	3.1
----	----------------	------	----	----	----	----	----	--	--	--------------	-----



SK40 2-20 mm

A	Part.No.	Form	L1	L2	L3	L4	D1	D2	D3	Balanced	kg
112	300 520Z 240 0	A/AD	69	78	93	40	50			20.000 G=2.5	1.6

SK50

112	300 820Z 250 0	A/AD	48	68	93	40	63			20.000 G=2.5	3.5
-----	----------------	------	----	----	----	----	----	--	--	--------------	-----



SK40 2-20 mm

A	Part.No.	Form	L1	L2	L3	L4	D1	D2	D3	Balanced	kg
149	300 920Z 240 0	A/AD	94	103	129	40	50			20.000 G=2.5	1.9

SK50

149	300 920Z 250 0	A/AD	84	104	129	40	63			20.000 G=2.5	3.8
-----	----------------	------	----	-----	-----	----	----	--	--	--------------	-----



SK40 16-32 mm

A	Part.No.	Form	L1	L2	L3	L4	D1	D2	D3	Balanced	kg
102	300 025Z 240 0	A/AD	*			83	63			20.000 G=2.5	2.1

SK50

102	300 025Z 250 0	A/AD				83	70			20.000 G=2.5	4.3
-----	----------------	------	--	--	--	----	----	--	--	--------------	-----

* ohne Einschnürung / without Safety Zone



HSK

Precision Chucks APC, DIN 69893. Highest gripping force due to integrated worm gear transmission. Easy exchange of tools by setting of hex-key. Maintenance free. Sealed against coolant and contamination. Slow collet taper angle. Gripping torque > 400 Nm at D = 20 mm. Runout accuracy 3 µm at 2,5 x D and standard length. Clamping of tool shanks according to DIN 1835 A, B and DIN 6535 HB, HA as well as HE up to D = 20 mm.

HSK50 Form A 2-14 mm

A	Part.No.	Form	L1	L2	L3	L4	D1	D2	D3	Balanced	kg
101	300 014Z 650 0	A	11	28	55	75	30	50		20.000 G=2.5	1.1

HSK63 A

92	300 014Z 663 0	A	11	28	43	66	30	50	53	20.000 G=2.5	1.3
----	----------------	---	----	----	----	----	----	----	----	--------------	-----



HSK63 Form A 2-14 mm

A	Part.No.	Form	L1	L2	L3	L4	D1	D2	D3	Balanced	kg
142	300 514Z 663 0	A	61	78	93	116	30	50	53	20.000 G=2.5	1.5



HSK50 Form A 2-14 mm

A	Part.No.	Form	L1	L2	L3	L4	D1	D2	D3	Balanced	kg
187	300 214Z 650 0	A	85	103	141	161	30	50		20.000 G=2.5	1.9

HSK63 Form A

178	300 214Z 663 0	A	85	103	129	152	30	50	53	20.000 G=2.5	1.9
-----	----------------	---	----	-----	-----	-----	----	----	----	--------------	-----



HSK50 Form A 2-20 mm

A	Part.No.	Form	L1	L2	L3	L4	D1	D2	D3	Balanced	kg
101	300 120Z 650 0	A	20	28	55	75	40	50		20.000 G=2.5	1.1

HSK63 Form A

92	300 120A 663 0	A	20	31		66	40	53		20.000 G=2.5	1.3
----	----------------	---	----	----	--	----	----	----	--	--------------	-----

HSK63 Form F

92	300 120F 663 0	F	20	31		66	40	53		20.000 G=2.5	1.3
----	----------------	---	----	----	--	----	----	----	--	--------------	-----

HSK80 Form A

98	300 120Z 680 0	A	18	38		72	40	63		20.000 G=2.5	1.8
----	----------------	---	----	----	--	----	----	----	--	--------------	-----

HSK100 Form A

100	300 020Z 610 0	A	18	38	43	71	40	63	70	20.000 G=2.5	3.8
-----	----------------	---	----	----	----	----	----	----	----	--------------	-----



HSK63 Form A 2-20 mm

A	Part.No.	Form	L1	L2	L3	L4	D1	D2	D3	Balanced	kg
142	300 520Z 663 0	A	69	81		116	40	53		20.000 G=2.5	1.7

HSK100 Form A

150	300 820Z 610 0	A	48	68	93	121	40	63	70	20.000 G=2.5	4.2
-----	----------------	---	----	----	----	-----	----	----	----	--------------	-----



HSK63 Form A 2-20 mm

A	Part.No.	Form	L1	L2	L3	L4	D1	D2	D3	Balanced	kg
178	300 220Z 663 0	A	94	105		152	40	53		20.000 G=2.5	2.0

HSK100 Form A

186	300 920Z 610 0	A	84	104	129	157	40	63	70	20.000 G=2.5	4.5
-----	----------------	---	----	-----	-----	-----	----	----	----	--------------	-----



HSK63 Form A 16-32 mm

A	Part.No.	Form	L1	L2	L3	L4	D1	D2	D3	Balanced	kg
132	300 025Z 663 0	A				90	106	63		20.000 G=2.5	2.5

HSK80 Form A

137	300 025Z 680 0	A				111	63			20.000 G=2.5	2.2
-----	----------------	---	--	--	--	-----	----	--	--	--------------	-----

HSK100 Form A

139	300 025Z 610 0	A				110	70			20.000 G=2.5	4.7
-----	----------------	---	--	--	--	-----	----	--	--	--------------	-----

HSK125 Form A

145	300 025Z 612 0	A				116	70			20.000 G=2.5	6.0
-----	----------------	---	--	--	--	-----	----	--	--	--------------	-----



POLYGON

Precision Chucks APC, ISO 26623-1. Highest gripping force due to integrated worm gear transmission. Easy exchange of tools by setting of hex-key. Maintenance free. Sealed against coolant and contamination. Slow collet taper angle. Gripping torque > 400 Nm at D = 20 mm. Runout accuracy 3 µm at 2.5 x D and standard length. Clamping of tool shanks according to DIN 1835 A, B and DIN 6535 HB, HA as well as HE up to D = 20 mm.

C6 2-14 mm

A	Part.No.	Form	L1	L2	L3	L4	D1	D2	D3	Balanced	kg
80	300 014Z 9C6 0		11	28	43		30	50		12.000 G=2.5	1.3



C5 2-14 mm

A	Part.No.	Form	L1	L2	L3	L4	D1	D2	D3	Balanced	kg
125	300 514Z 9C5 0		61	78			30	50		12.000 G=2.5	1.0

C6

130	300 814Z 9C6 0		61	78	93		30	50		12.000 G=2.5	1.5
-----	----------------	--	----	----	----	--	----	----	--	--------------	-----



C6 2-14 mm

A	Part.No.	Form	L1	L2	L3	L4	D1	D2	D3	Balanced	kg
166	300 914Z 9C6 0		85	103	129		30	50		12.000 G=2.5	2.0



C5 2-20 mm

A	Part.No.	Form	L1	L2	L3	L4	D1	D2	D3	Balanced	kg
78	300 120Z 9C5 0		20	28			40	50		12.000 G=2.5	0.9

C6

80	300 020Z 9C6 0		18	38			40	63		12.000 G=2.5	1.4
----	----------------	--	----	----	--	--	----	----	--	--------------	-----

C8

90	300 020Z 9C8 0		18	38	43		40	63		12.000 G=2.5	3.3
----	----------------	--	----	----	----	--	----	----	--	--------------	-----



C6 2-20 mm

A	Part.No.	Form	L1	L2	L3	L4	D1	D2	D3	Balanced	kg
130	300 820Z 9C6 0		48	68			40	63		12.000 G=2.5	1.6

C8

140	300 820Z 9C8 0		48	68	93		40	63		12.000 G=2.5	3.5
-----	----------------	--	----	----	----	--	----	----	--	--------------	-----



C6 2-20 mm

A	Part.No.	Form	L1	L2	L3	L4	D1	D2	D3	Balanced	kg
166	300 920Z 9C6 0		84	104			40	63		12.000 G=2.5	2.2



C6 16-32 mm

A	Part.No.	Form	L1	L2	L3	L4	D1	D2	D3	Balanced	kg
119	300 025Z 9C6 0						63			12.000 G=2.5	2.4

C8

129	300 025Z 9C8 0		83				70			12.000 G=2.5	3.8
-----	----------------	--	----	--	--	--	----	--	--	--------------	-----



MAS-BT

Precision Chucks APC, JIS B 6339. Highest gripping force due to integrated worm gear transmission. Easy exchange of tools by setting of hex-key. Maintenance free. Sealed against coolant and contamination. Slow collet taper angle. Gripping torque > 400 Nm at D = 20 mm. Runout accuracy 3 µm at 2.5 x D and standard length. Clamping of tool shanks according to DIN 1835 A, B and DIN 6535 HB, HA as well as HE up to D = 20 mm.

BT30 2-14 mm

A	Part.No.	Form	L1	L2	L3	L4	D1	D2	D3	Balanced	kg
82	300 014Z 430 0	A/AD	11	28	43	56	30	50		20.000 G=2.5	1.2

BT40

70	300 014Z 440 0	A/AD	11	28		43	30	50		20.000 G=2.5	1.3
----	----------------	------	----	----	--	----	----	----	--	--------------	-----



BT40 2-14 mm

A	Part.No.	Form	L1	L2	L3	L4	D1	D2	D3	Balanced	kg
120	300 514Z 440 0	A/AD	61	78	93	30	50			20.000 G=2.5	1.5



BT40 2-14 mm

A	Part.No.	Form	L1	L2	L3	L4	D1	D2	D3	Balanced	kg
156	300 914Z 440 0	A/AD	85	103	129	30	50			20.000 G=2.5	2.0



BT30 2-20 mm

A	Part.No.	Form	L1	L2	L3	L4	D1	D2	D3	Balanced	kg
82	300 120Z 430 0	A/AD	20	31		56	40	53		20.000 G=2.5	1.2

BT40

70	300 020Z 440 0	A/AD	18	38			40	63		20.000 G=2.5	1.4
----	----------------	------	----	----	--	--	----	----	--	--------------	-----

BT50

81	300 020Z 450 0	A/AD	18	38		43	40	63		20.000 G=2.5	4.2
----	----------------	------	----	----	--	----	----	----	--	--------------	-----



BT40 2-20 mm

A	Part.No.	Form	L1	L2	L3	L4	D1	D2	D3	Balanced	kg	Euro
120	300 520Z 440 0	A/AD	48	68			40	63		20.000 G=2.5	1.8	

BT50

131	300 820Z 450 0	A/AD	48	68		93	40	63		20.000 G=2.5	4.6	
-----	----------------	------	----	----	--	----	----	----	--	--------------	-----	--



BT40 2-20 mm

A	Part.No.	Form	L1	L2	L3	L4	D1	D2	D3	Balanced	kg
156	300 920Z 440 0	A/AD	84	104			40	63		20.000 G=2.5	2.1

BT50

167	300 920Z 450 0	A/AD	84	104		129	40	63		20.000 G=2.5	4.9
-----	----------------	------	----	-----	--	-----	----	----	--	--------------	-----



BT40 16-32 mm

A	Part.No.	Form	L1	L2	L3	L4	D1	D2	D3	Balanced	kg
110	300 025Z 440 0	A/AD						63		20.000 G=2.5	2.4

BT50

121	300 025Z 450 0	A/AD					83	70		20.000 G=2.5	4.6
-----	----------------	------	--	--	--	--	----	----	--	--------------	-----



SK HSK POLYGON MAS-BT BBT ABS KM APC



BBT ABS KM

Precision Chucks APC, BBT with Flange contact. Highest gripping force due to integrated worm gear transmission. Easy exchange of tools by setting of hex-key. Maintenance free. Sealed against coolant and contamination. Slow collet taper angle. Gripping torque > 400 Nm at D = 20 mm. Runout accuracy 3 µm at 2.5 x D and standard length. Clamping of tool shanks according to DIN 1835 A, B and DIN 6535 HB, HA as well as HE up to D = 20 mm.

BBT30 2-20 mm

A	Part.No.	Form	L1	L2	L3	L4	D1	D2	D3	Balanced	kg
81	300 120Z 43P 0	A/AD	20	31		56	40	53		20.000 G=2.5	1.2
BBT40											
69	300 020Z 44P 0	A/AD	18	38			40	63		20.000 G=2.5	1.4
BBT50											
80	300 020Z 45P 0	A/AD	18	38		43	40	63		20.000 G=2.5	4.2



BBT40 2-20 mm

A	Part.No.	Form	L1	L2	L3	L4	D1	D2	D3	Balanced	kg
119	300 820Z 44P 0	A/AD	48	68			40	63		20.000 G=2.5	1.8
BBT50											
129	300 820Z 45P 0	A/AD	48	68		93	40	63		20.000 G=2.5	4.6



ABS 50 2-14 mm

A	Part.No.	Form	L1	L2	L3	L4	D1	D2	D3	Balanced	kg
72	300 014Z K50 0		11	28			30	50		10.000 G=2.5	0.9



KM 63 XMZ ISO 26622-1 2-20 mm

A	Part.No.	Form	L1	L2	L3	L4	D1	D2	D3	Balanced	kg
78	300 120Z X63 0		20	31		60	40	53		12.000 G=2.5	1.3



SK
 HSK
 POLYGON
 APC
 MAS-BT
 KM
 ABS
 BBT

APC collet with peripheral cooling

APC collet with peripheral cooling

Additional cooling and rinsing effect. Increases the safety of processing. Constant coolant flow of 14-16 litre/min at 50 bar coolant pressure up to D = 20 mm through the slots of the collet. Special coating. Maintenance free. Integrated, fine adjustable length stop with access from both sides. Clamping of tool shanks corresponding to DIN 1835 A, B and DIN 6535 HB, HA as well as HE up to D = 20 mm.

Collet APC14 2 - 14 mm

D	Coolant	Part.No.	kg
2	Periphery	136 1402 000 0	0.10
3	Periphery	136 1403 000 0	0.10
4	Periphery	136 1404 000 0	0.10
5	Periphery	136 1405 000 0	0.10
6	Periphery	136 1406 000 0	0.09
7	Periphery	136 1407 000 0	0.09
8	Periphery	136 1408 000 0	0.09
9	Periphery	136 1409 000 0	0.08
10	Periphery	136 1410 000 0	0.08
11	Periphery	136 1411 000 0	0.07
12	Periphery	136 1412 000 0	0.07
14	Periphery	136 1414 000 0	0.05



Collet APC20 2 - 20 mm

D	Coolant	Part.No.	kg
2	Periphery	136 2002 000 0	0.17
3	Periphery	136 2003 000 0	0.17
4	Periphery	136 2004 000 0	0.17
5	Periphery	136 2005 000 0	0.17
6	Periphery	136 2006 000 0	0.17
8	Periphery	136 2008 000 0	0.16
9	Periphery	136 2009 000 0	0.16
10	Periphery	136 2010 000 0	0.15
11	Periphery	136 2011 000 0	0.15
12	Periphery	136 2012 000 0	0.15
13	Periphery	136 2013 000 0	0.14
14	Periphery	136 2014 000 0	0.13
15	Periphery	136 2015 000 0	0.12
16	Periphery	136 2016 000 0	0.10
17	Periphery	136 2017 000 0	0.10
18	Periphery	136 2018 000 0	0.08
20	Periphery	136 2020 000 0	0.06



Collet APC25 16 - 32 mm

D	Coolant	Part.No.	kg
16	Periphery	136 2516 000 0	0.50
18	Periphery	136 2518 000 0	0.45
20	Periphery	136 2520 000 0	0.42
22	Periphery	136 2522 000 0	0.40
25	Periphery	136 2525 000 0	0.34
32	Periphery	136 2532 000 0	0.22



* Special size and inch diameter on request

APC collet for tools with internal coolant

APC collet for tools with internal coolant
100% leak proof up to 100 bar coolant pressure.
Special coating. Maintenance free. Integrated, fine
adjustable length stop. Clamping of tool shanks
corresponding to DIN 1835 A, B and DIN 6535 HB,
HA as well as HE up to D = 20 mm.

Collet APC14 2 – 14 mm

D	Coolant	Part.No.	kg
2	Central	136 1402 000 T	0.10
3	Central	136 1403 000 T	0.10
4	Central	136 1404 000 T	0.10
5	Central	136 1405 000 T	0.10
6	Central	136 1406 000 T	0.09
7	Central	136 1407 000 T	0.09
8	Central	136 1408 000 T	0.09
9	Central	136 1409 000 T	0.08
10	Central	136 1410 000 T	0.08
11	Central	136 1411 000 T	0.07
12	Central	136 1412 000 T	0.07
14	Central	136 1414 000 T	0.05



Collet APC20 2 – 20 mm

D	Coolant	Part.No.	kg
2	Central	136 2002 000 T	0.17
3	Central	136 2003 000 T	0.17
4	Central	136 2004 000 T	0.17
5	Central	136 2005 000 T	0.17
6	Central	136 2006 000 T	0.17
8	Central	136 2008 000 T	0.16
9	Central	136 2009 000 T	0.16
10	Central	136 2010 000 T	0.15
11	Central	136 2011 000 T	0.15
12	Central	136 2012 000 T	0.15
13	Central	136 2013 000 T	0.14
14	Central	136 2014 000 T	0.13
15	Central	136 2015 000 T	0.12
16	Central	136 2016 000 T	0.10
17	Central	136 2017 000 T	0.10
18	Central	136 2018 000 T	0.08
20	Central	136 2020 000 T	0.06



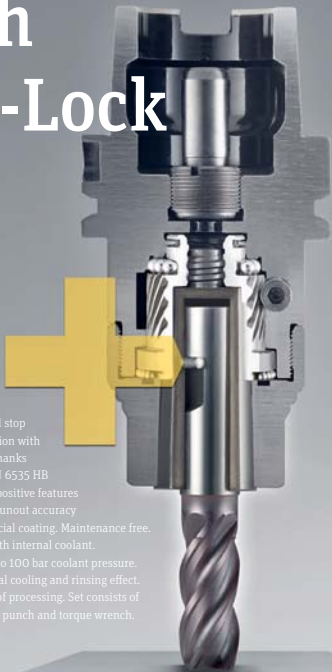
Collet APC25 16 – 32 mm

D	Coolant	Part.No.	kg
16	Central	136 2516 000 T	0.50
18	Central	136 2518 000 T	0.45
20	Central	136 2520 000 T	0.42
22	Central	136 2522 000 T	0.40
25	Central	136 2525 000 T	0.34
32	Central	136 2532 000 T	0.22



* Special size and inch diameter on request

Collets with Pin-Lock



APC collet with non-rotational pull stop Pin-Lock

Easy mechanical pull stop solution in combination with side lock (Weldon) shanks corresponding to DIN 6535 HB and DIN 1835 B. All positive features of APC are kept like runout accuracy and dampening. Special coating. Maintenance free. Central = for tools with internal coolant. 100% leak proof up to 100 bar coolant pressure. Periphery = additional cooling and rinsing effect. Increases the safety of processing. Set consists of collet, safety pin, pin punch and torque wrench.

Collet APC20 6-18 mm

D	Coolant		Part.No.	kg
6	Periphery	Set	136 2006 SLO O	
6	Periphery	Collet	136 2006 OLO O	0.17
8	Periphery	Set	136 2008 SLO O	
8	Periphery	Collet	136 2008 OLO O	0.16
10	Periphery	Set	136 2010 SLO O	
10	Periphery	Collet	136 2010 OLO O	0.15
12	Periphery	Set	136 2012 SLO O	
12	Periphery	Collet	136 2012 OLO O	0.15
14	Periphery	Set	136 2014 SLO O	
14	Periphery	Collet	136 2014 OLO O	0.13
16	Periphery	Set	136 2016 SLO O	
16	Periphery	Collet	136 2016 OLO O	0.10
18	Periphery	Set	136 2018 SLO O	
18	Periphery	Collet	136 2018 OLO O	0.08

Collet APC20 6-18 mm

D	Coolant		Part.No.	kg
6	Central	Set	136 2006 SLO T	
6	Central	Collet	136 2006 OLO T	0.17
8	Central	Set	136 2008 SLO T	
8	Central	Collet	136 2008 OLO T	0.16
10	Central	Set	136 2010 SLO T	
10	Central	Collet	136 2010 OLO T	0.15
12	Central	Set	136 2012 SLO T	
12	Central	Collet	136 2012 OLO T	0.15
14	Central	Set	136 2014 SLO T	
14	Central	Collet	136 2014 OLO T	0.13
16	Central	Set	136 2016 SLO T	
16	Central	Collet	136 2016 OLO T	0.10
18	Central	Set	136 2018 SLO T	
18	Central	Collet	136 2018 OLO T	0.08

Collet APC25 18-25 mm

D	Coolant		Part.No.	kg
18	Periphery	Set	136 2518 SLO O	
18	Periphery	Collet	136 2518 OLO O	0.45
20	Periphery	Set	136 2520 SLO O	
20	Periphery	Collet	136 2520 OLO O	0.42
22	Periphery	Set	136 2522 SLO O	
22	Periphery	Collet	136 2522 OLO O	0.40
25	Periphery	Set	136 2525 SLO O	
25	Periphery	Collet	136 2525 OLO O	0.34

Collet APC25 18-25 mm

D	Coolant		Part.No.	kg
18	Central	Set	136 2518 SLO T	
18	Central	Collet	136 2518 OLO T	0.45
20	Central	Set	136 2520 SLO T	
20	Central	Collet	136 2520 OLO T	0.42
22	Central	Set	136 2522 SLO T	
22	Central	Collet	136 2522 OLO T	0.40
25	Central	Set	136 2525 SLO T	
25	Central	Collet	136 2525 OLO T	0.34



Pin-Lock

Extension

MQL

Plus

Precision Chuck extension.

For extension of Precision Chucks

Very slim design for operation areas not easily accessible. High Gripping torque because of slow angle taper. Runout accuracy 8 µm. Clamping of tool shanks according to DIN 1835 A, B and DIN 6535 HB, HA, HE. Special coated collets. Maintenance free. Operated from behind with included hex-key.



Cylindrical shank 14 mm (DIN 6535-HB)

1,0 - 6,0 mm

L	Part.No.	Coolant	D	kg
100	310 1006 814 0	Central	14	0.26
150	310 2006 814 0	Central	14	0.32
190	310 3006 814 0	Central	14	0.45

Cylindrical shank 20 mm (DIN 6535-HB)

1,0 - 6,0 mm

L	Part.No.	Coolant	L2	D	D2	kg
100	310 1006 820 0	Central	45	20	13	0.34
150	310 2006 820 0	Central	67	20	13	0.46

Collet with peripheral cooling. Additional cooling and rinsing effect. Increases the safety of processing.

D	Part.No.	Coolant	kg
1.0	136 0601 000 0	Periphery	0.02
2.0	136 0602 000 0	Periphery	0.02
2.5	136 0602 500 0	Periphery	0.02
2.8	136 0602 800 0	Periphery	0.02
3.0	136 0603 000 0	Periphery	0.02
3.5	136 0603 500 0	Periphery	0.02
4.0	136 0604 000 0	Periphery	0.02
4.5	136 0604 500 0	Periphery	0.02
5.0	136 0605 000 0	Periphery	0.02
6.0	136 0606 000 0	Periphery	0.02

Collet for tools with internal coolant. 100% leak proof up to 100 bar coolant pressure

D	Part.No.	Coolant	kg
1.0	136 0601 000 T	Central	0.02
2.0	136 0602 000 T	Central	0.02
2.5	136 0602 500 T	Central	0.02
2.8	136 0602 800 T	Central	0.02
3.0	136 0603 000 T	Central	0.02
3.5	136 0603 500 T	Central	0.02
4.0	136 0604 000 T	Central	0.02
4.5	136 0604 500 T	Central	0.02
5.0	136 0605 000 T	Central	0.02
6.0	136 0606 000 T	Central	0.02

* Special size and inch diameter on request



Pin-Lock

Extension

MQL

Plus

MQL inside

MQL by Albrecht

Of course the APC Precision Chuck is also available with Minimum-Quantity-Lubrication. For 1- and 2-Channel-systems in combination with internal coolant collets. Please choose your MQL Length screw and Coolant tube alternatively 1- or 2-channel. 100% perfect matched set with MQL conform delivery at the tool shaft end with 90°. Based on MQL company standard. Insertion depth corresponding to DIN 1835 and DIN 6535.



Albrecht MQL, minimum quantity lubrication

DIN 69893 HSK 50 Form A (300 014Z 650 0 und 300 120Z 650 0)

Ø	MQL Length screw Part.No.	Coolant tube 1-channel Part.No.	Coolant tube 2-channel Part.No.
4 - 6	132 0004 000 1	139 0008 650 2	139 0004 650 2
8	132 0008 000 1	139 0008 650 2	139 0004 650 2
10	132 0010 000 1	139 0008 650 2	139 0004 650 2
12	132 0012 000 1	139 0008 650 2	139 0004 650 2
14	132 0014 000 1	139 0008 650 2	139 0004 650 2
16	132 0016 000 1	139 0008 650 2	139 0004 650 2
18	132 0018 000 1	139 0008 650 2	139 0004 650 2

DIN 69893 HSK 63 Form A (300 014Z 663 0 und 300 120Z 663 0)

Ø	MQL Length screw Part.No.	Coolant tube 1-channel Part.No.	Coolant tube 2-channel Part.No.
4 - 6	132 0004 000 1	139 0008 663 2	139 0004 663 2
8	132 0008 000 1	139 0008 663 2	139 0004 663 2
10	132 0010 000 1	139 0008 663 2	139 0004 663 2
12	132 0012 000 1	139 0008 663 2	139 0004 663 2
14	132 0014 000 1	139 0008 663 2	139 0004 663 2
16	132 0016 000 1	139 0008 663 2	139 0004 663 2
18	132 0018 000 1	139 0008 663 2	139 0004 663 2

DIN 69893 HSK 80 Form A (300 020Z 680 0)

Ø	MQL Length screw Part.No.	Coolant tube 1-channel Part.No.	Coolant tube 2-channel Part.No.
4 - 6	132 0004 000 1	139 0008 680 2	139 0004 680 0
8	132 0008 000 1	139 0008 680 2	139 0004 680 0
10	132 0010 000 1	139 0008 680 2	139 0004 680 0
12	132 0012 000 1	139 0008 680 2	139 0004 680 0
14	132 0014 000 1	139 0008 680 2	139 0004 680 0
16	132 0016 000 1	139 0008 680 2	139 0004 680 0
18	132 0018 000 1	139 0008 680 2	139 0004 680 0

DIN 69893 HSK 100 Form A (300 020Z 610 0)

Ø	MQL Length screw Part.No.	Coolant tube 1-channel Part.No.	Coolant tube 2-channel Part.No.
4 - 6	132 0004 000 1	139 0008 610 2	139 0004 610 0
8	132 0008 000 1	139 0008 610 2	139 0004 610 0
10	132 0010 000 1	139 0008 610 2	139 0004 610 0
12	132 0012 000 1	139 0008 610 2	139 0004 610 0
14	132 0014 000 1	139 0008 610 2	139 0004 610 0
16	132 0016 000 1	139 0008 610 2	139 0004 610 0
18	132 0018 000 1	139 0008 610 2	139 0004 610 0



Pin-Lock

Extension

MQL

Plus

Accessories



Operation Key	Part.No.
Standard key with marking for torque applied	139 0000 901 0
Torque key fixed at 12 Nm	139 0012 900 0
Torque key Adjustable 2.5 - 20 Nm	139 0020 900 0
Spare bit for torque key	139 0000 901 4
Torque key for chuck-extension. Adjustable 1.5 - 3,0 Nm	139 0003 900 0

Taper Wiper	Part.No.
for APC 14	139 0000 GR1 0
for APC 20	139 0000 GR2 0
for APC 25	139 0000 GR4 0
for APC 32	139 0000 GR5 0

Coolant tubes DIN69893 (HSK)	Part.No.
Coolant tube HSK-A50	139 0002 650 0
Coolant tube HSK-A63	139 0002 663 0
Coolant tube HSK-A80	139 0002 680 0
Coolant tube HSK-A100	139 0002 610 0

Key with T-handle	Part.No.
for coolant tube HSK-A50	139 0020 650 0
for coolant tube HSK-A63	139 0020 663 0
for coolant tube HSK-A80	139 0020 680 0
for coolant tube HSK-A100	139 0020 610 0

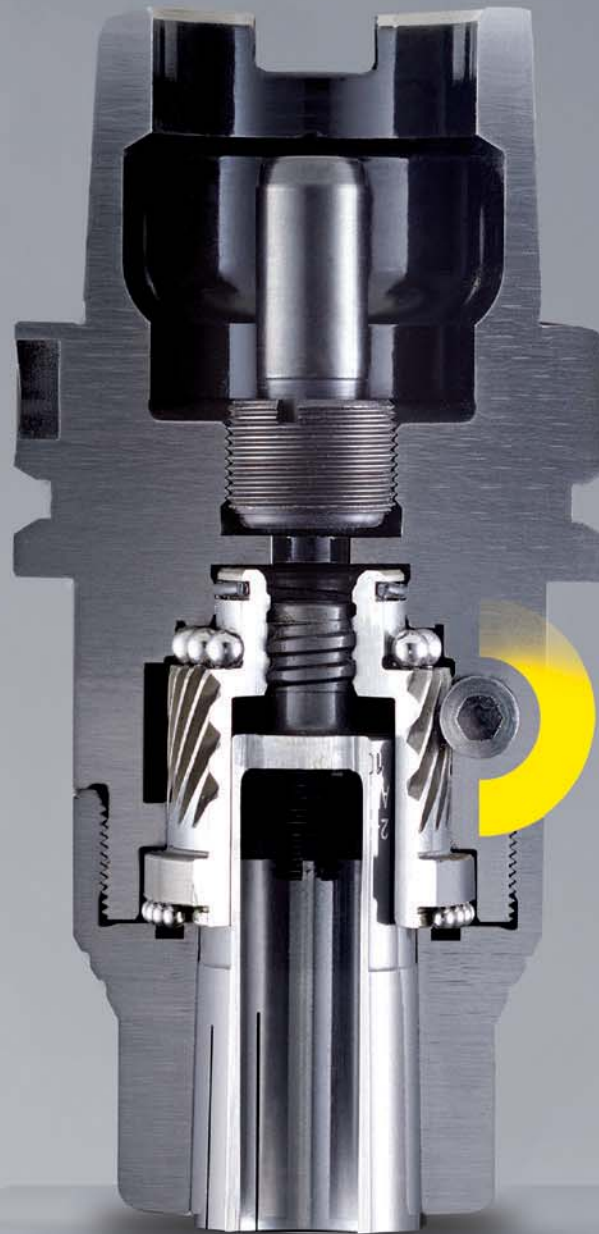
Spare parts	Part.No.
Worm set 14/20 until 2007	139 0000 001 0
Worm set APC 32	139 0000 002 0
Worm set 14/20 from 2008	139 0000 003 0
Worm set 14/20/25 Ø9 short	139 0000 004 0
Worm set 14/20/25 Ø9 long	139 0000 005 0

Spare-Pins for Pin-Lock for	Part.No.
APC20 Ø18 3 pieces	139 3020 212 0
APC20 Ø16 3 pieces	139 3020 312 0
APC20 Ø 6-14 3 pieces	139 3020 314 0
APC25 Ø22-25 3 pieces	139 3025 420 0
APC25 Ø16-20 3 pieces	139 3025 426 0



Thank You

ALBRECHT PRÄZISION
GmbH & Co. KG
Antoniusstraße 25
D-73249 Wernau
T +49 7153 / 3006 - 0
F +49 7153 / 3006 - 11
info@albrecht-germany.com
www.albrecht-germany.com



ALBRECHT
Precision Chucks