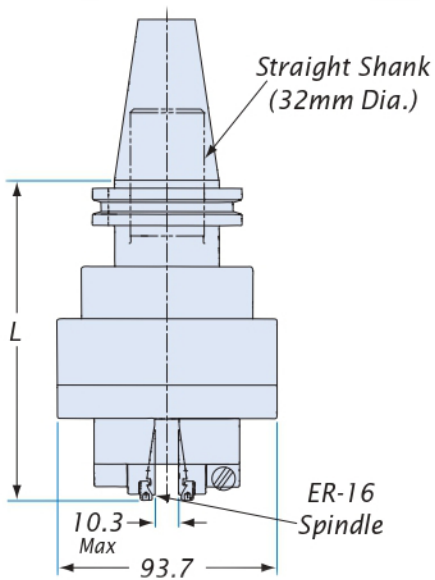


# Sizes and Dimensions



Shank	"D" Dimension		
	Size 1	Size 2	Size 3
CAT40	104.8	104.8	115.1
CAT50	68.3	68.3	78.6
BT40	104.8	104.8	115.1
BT50	68.3	68.3	78.6
Straight Shank 32MM	76.9	76.9	87.3
HSK63A	111.9	111.9	122.2
HSK100A	86.5	86.5	96.8
CAPTO C5	87.6	87.6	98.0
CAPTO C6	92.1	92.1	102.4

Shank	L
CAT40	136.5
CAT50	100.0
Straight Shank	109.5